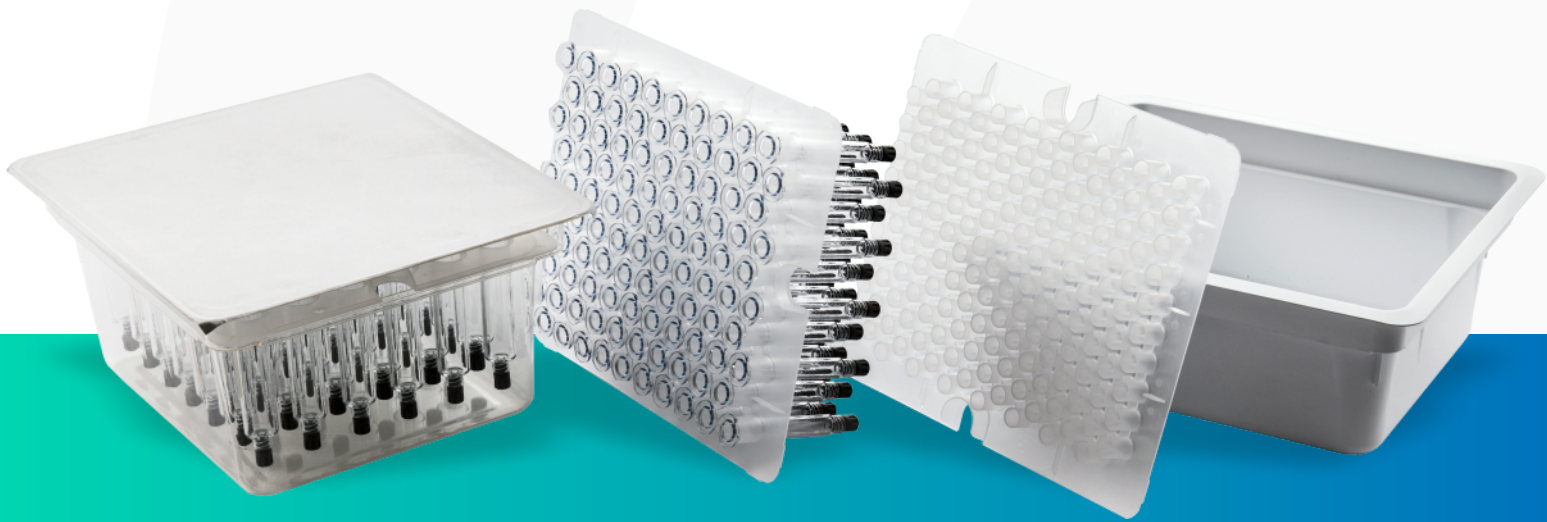


FISCHER[®]

LIFE SCIENCE. PACKAGING SOLUTIONS.



Low in particles. Scratch-free. Unbreakable.

Tub und Nest

Provider of **complete solutions** for your
pharmaceutical packaging products.

Particle Cleanliness from Production to Deployment

The tubs and nests go through a fully automated removal and packaging process:

- Removal of parts from the tool
- Placement of parts and stack formation
- Packaging of stacks, including labeling

All process steps are conducted under cleanroom conditions.

Cost Efficiency

- Significant reduction of TCO (Total Cost of Ownership)
- No investment required in tools or other operational resources

Flexibility

- Standard items with short lead times
- Compatible with common loading and filling systems

Quality

- Established materials (PS and PP)
- Suitable for common sterilization processes
- Shape-stable
- Enables sterile filling of syringes
- Over 20 years of know-how
- Leading reference customers worldwide
- Swiss quality and trust

Application

The tubs and nests are suitable for the following prefillable syringes:

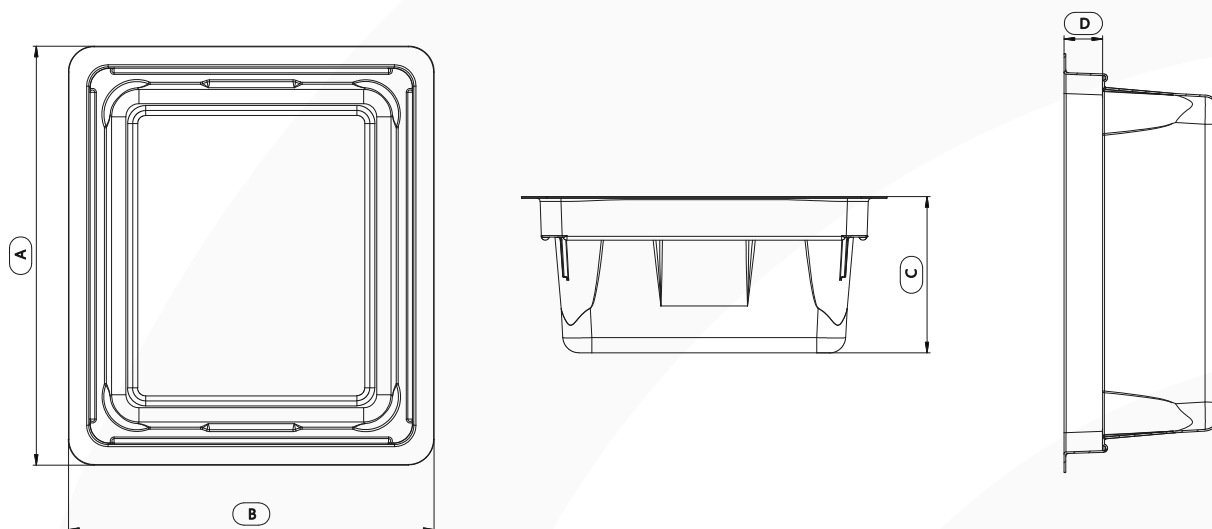
- Nest 100 PP Ø 12.2 (10x10) for 0.5ml, 1.0ml long, and 1.0-3.0ml
- Nest 160 PP Ø 9.4 (10x16) for 0.5ml and 1.0ml long

Certification

- GMP Class C and ISO 7
- ISO 13485
- ISO 11040-7
- Institute of Environmental Sciences and Technology's standard IEST-STD-CC1246 (level 200)



Tub 96



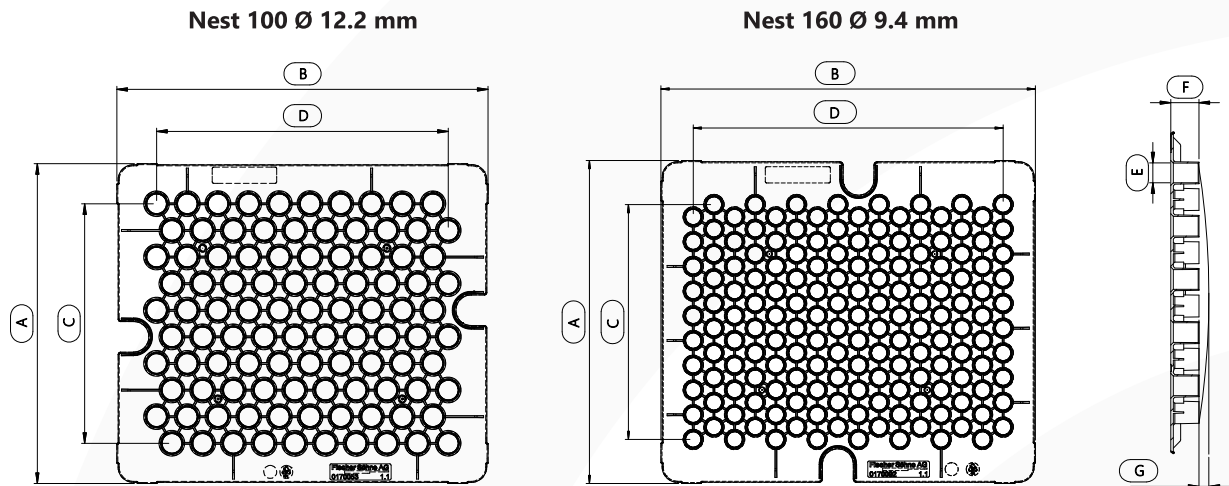
TECHNICAL SPECIFICATIONS

Item Number	Description	Color	Quantity per pallet	Dimensions in mm				Material type
				A	B	C	D	
0170091	Tub 96	white	792	260	227	97	24	PS
0170095	Tub 96	transparent	792	260	227	97	24	SBC & SMMA

Standard Quantity per Pallet

- Disposable pallet 120 x 80 cm
- Standard height approx. 225 cm





TECHNICAL SPECIFICATIONS

Item Number	Description	Color	Quantity per pallet	Dimensions in mm							Material type
				A	B	C	D	E	F	G Deflection	
0170053	Nest 100 Ø 12.2mm	natural	1800	198.5	230.2	148.5	180.9	12.2	17.5	max. 1.5	PP
0170092	Nest 160 Ø 9.4mm	natural	1800	198.5	230.2	144.4	190.5	9.4	17.5	max. 1.5	PP

Standard Quantity per Pallet

- Disposable pallet 120 x 80 cm
- Standard height approx. 225 cm





Contact Us

FISCHER[®]
LIFE SCIENCE. PACKAGING SOLUTIONS.



Fischer Söhne AG
Luzernerstrasse 105
5630 Muri AG, Switzerland



+41 56 675 49 00



verkauf@fischersoehne.ch



www.fischersoehne.ch



/fischersoehneag



VISIT US

