

**Exceptional equipment.
Unmatched service.
Four decades and counting.**



AURUS OSCILLATING GRANULATOR

PRODUCT BROCHURE





We at Kanath Engineering have built a reputation for excellence through our continuous contribution to the engineering industry.

A place where industrial age build quality meets innovations in modern technology.

AURUS

You may be familiar with our technical expertise in the manufacturing of processing machinery.

After having the opportunity to serve the pharmaceutical, nutraceutical, chemical, cosmetic, food, plastic and other allied industries, we now enter a new era of exponential improvement.

Introducing our new range of equipment, the Aurus machines.



Clients

There is nothing we enjoy more, than satisfying clients that appreciate our philosophy of under-promising and over-delivering, far beyond expectation.

Our machines are known to be built like tanks, but we are always there to help, if things ever get troublesome.



Aurus Oscillating Granulator

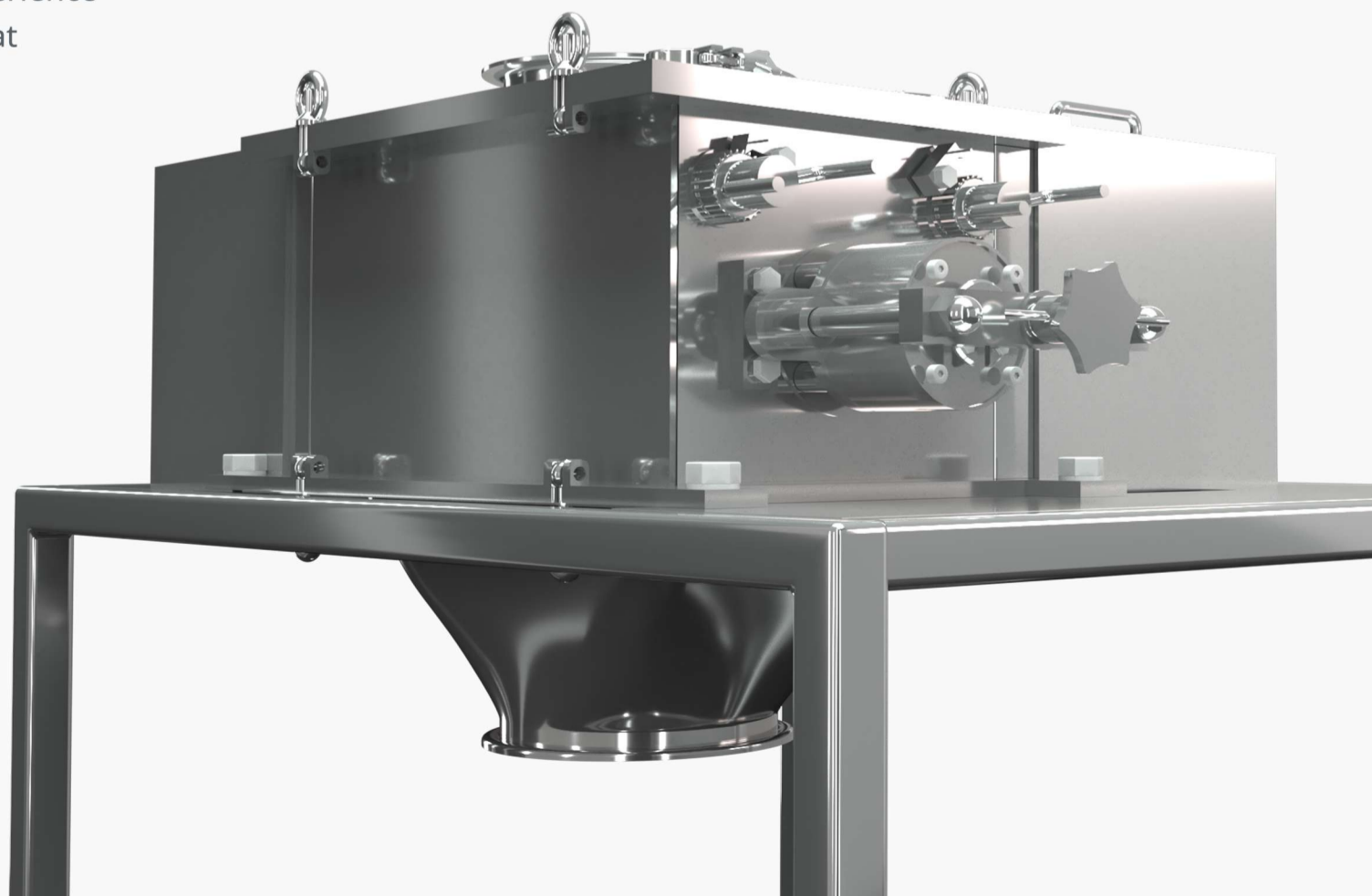
The most popular special-purpose machine from our highly-focused catalogue of exceptional engineering equipment.

The Aurus Oscillating Granulator is the ideal tool for dry & wet granulation, screening, crushing and breaking lumps thereby enhancing the compressibility of the end-products.

This granulation machine is all you will ever need for gentle, homogenised size reduction, sieving and grading granules in a variety of industries.

Benefits

- ▶ Its gentle, low-impact movement avoids excessive heat generation
- ▶ The unique oscillating rotation also avoids accidental fine powder formation
- ▶ Ultimate value on investment with multiple variant options based on requirement
- ▶ Effortless ownership experience due to minimal noise, heat and dust



Interchangeable screens for optimum precision

Easy to dismantle and wash with hot water

Variable Frequency Drive for speed adjustment



Swivel-type castor wheels with brakes for safety

Food-grade silicone rubber, PTFE teflon seals

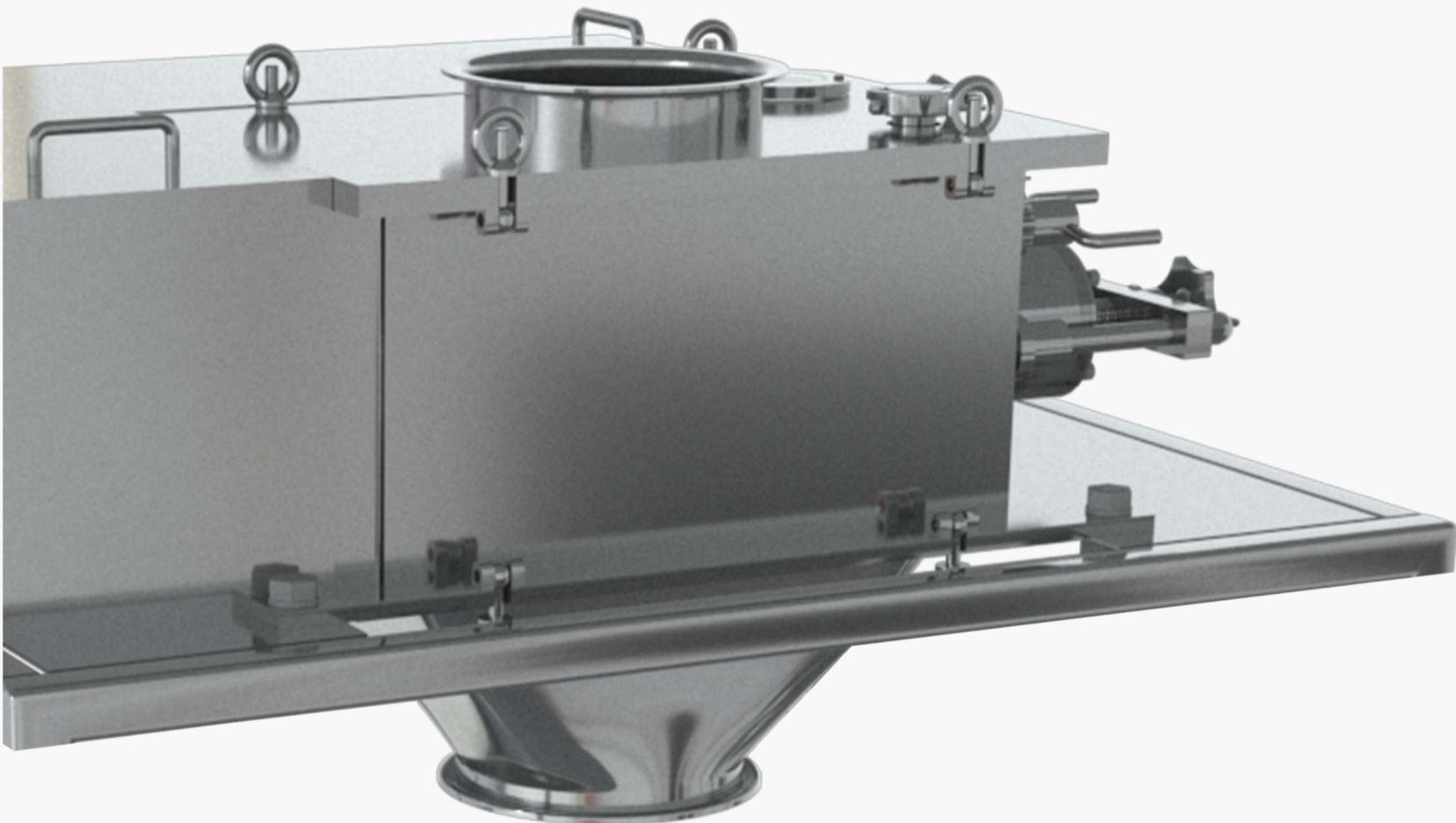
Certified cGMP, CE, UL compliant

The Aurus Oscillating Granulator is primarily available in three variants for scalable results: Lab model, Pilot model and Production model.

Please contact us if your requirement exceeds that.

Models

Name	SG-LAB	SG-250	SG-500
Motor	1HP	2HP	2HP x 2nos.
Capacity	0.75kW	1.5kW	4kW



Technical Specifications

Material	SS316L (contact) SS304 (non-contact)
Finish	240 grit Mirror (interior) 180 grit Matt (exterior)
Motor	1440RPM, 415V, 3-Phase, 50Hz Non Flame-Proof, Flanged-type
Starter	Variable Frequency Drive Enclosed in Stainless Steel box
Optional	Flame-proof electricals

A proven winner.
The O.G. is a solid, reliable machine for all your granulation needs. Powerful and predictable, every single time.



Pharmaceuticals

Nutraceuticals



Applications

The Aurus Oscillating Granulator is far more suitable than regular mills due to its gentle movement. This avoids the raw materials from undergoing high-impact situations that may lead to heat generation.

It also avoids excessive crushing of the raw materials into fine powders that can result in a difference in the dissolution rate. Thus, this machine is proving to be quite popular in most industries where granulation is key.

From active pharmaceutical ingredients to chicory additives for coffee, as catalysing agent in metal foundries to calcium supplements & health products, most manufacturers have figured out a way to reap the benefits of this incredibly versatile machine.

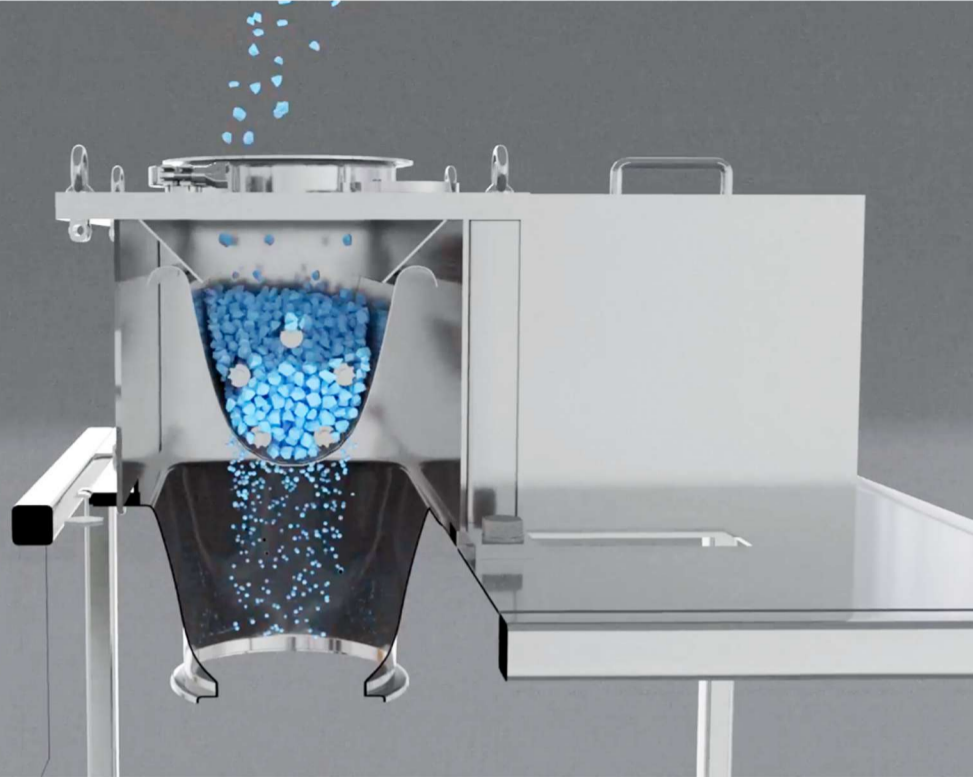
Food Industry



Chemicals



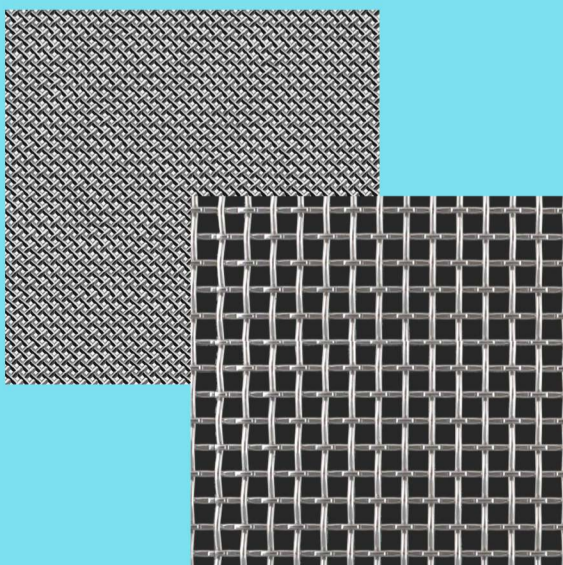
Witness perfect granulation as raw materials are uniformly processed every single time.



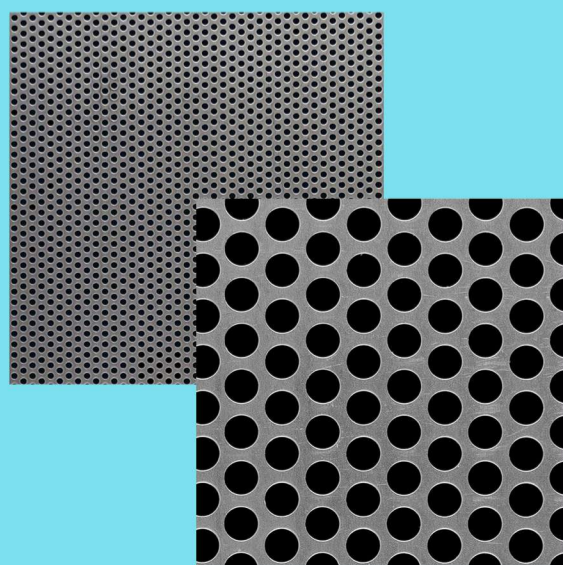
The flawless oscillation occurs through either of the two types of available rotors, V-type and Groove-type.

Three types of Stainless Steel Sieves available:

Wire Mesh



Round Perforation



Square Perforation

