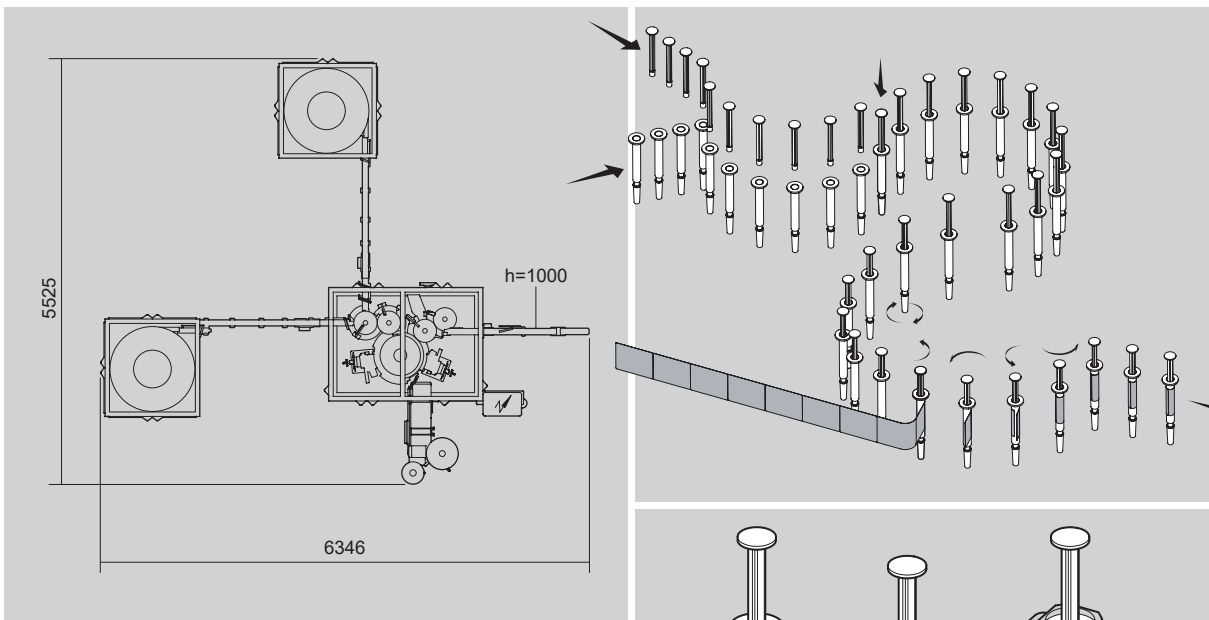


This publication supersedes and replaces any previous edition and revision. All rights reserved. No part of this publication may be reproduced, stored in a retrieval system or transmitted in any form or by any means, electronic, mechanical, photocopying, recording or otherwise, without permission of Tecnicam s.r.l. (Bologna - Italy). The technical data, the images and the diagrams are exclusively indicative and not binding, they might be modified without notice.

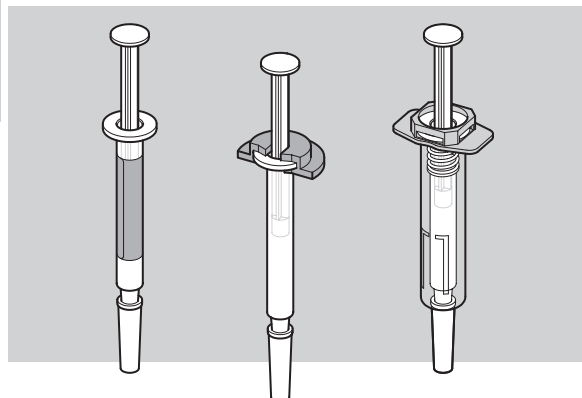
S105

High speed syringe assembler and labeller



TECHNICAL DATA

Mechanical speed	STROKES/1'	400
Power absorption	KW	8
Air consumption	NI/1'	200
Air pressure	bar	6
Weight	kg	~2200



FM-S105-03-uk (10/02/2018)