

# GMP

## Pattyn Film Division

### PRE INSERTED DOUBLE BAG

## Why choose our Bags?

FLEXIBILITY

WORLDWIDE AVAILABILITY

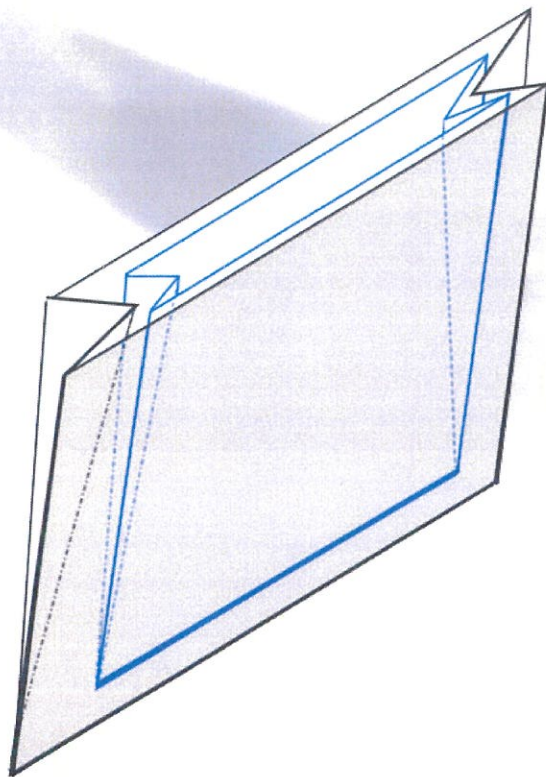
MAXIMUM FOOD & PHARMA SAFETY

THE BEST SOLUTION FOR YOUR CHALLENGE

- **We adapt ourselves to customer's needs in terms of dimensions (diameter, length thickness).**
- **No MOQ needed.**
- **We offer an Integral process: Extrusion of film; Printing of material; Conversion of bags; Tailor-made finishing.**
- **We study together with customer the best recipe for his process.**
- **Sterilization on demand.**



# GMP Pre Inserted Double Bag



## APPROVALS

European Pharmacopoeia (Ph. Eur. 3.1.3; 3.1.4)  
United States Pharmacopoeia (USP)  
FDA 21 CFR 177.1520  
1935/2004/EC  
EU regulation 10/2011/EC  
BSE/TSE absence  
Food allergens absence according EU Directive 2007/68/EC  
Heavy metal concentration (100ppm according EU Directive 94/62/EC)  
ELV Directive 2000/53/EC  
Phtalates and Bisphenol A absence  
GMO / GVO absence

The description, pictures and information given have an indicative value. We reserve the right to make changes without notice. Information and content is property of GMP. For customised executions please contact GMP.

**GMP**  
Pattyn Film Division

T +34 93 726 70 22  
gmp@gmp.biz  
www.gmp.biz

Pol. Ind. Pla de la Bruguera  
C/Solsonès 58-60  
08211-CASTELLAR DEL VALLÈS  
(BARCELONA)

**Turnkey solutions  
for Pharma packaging.**